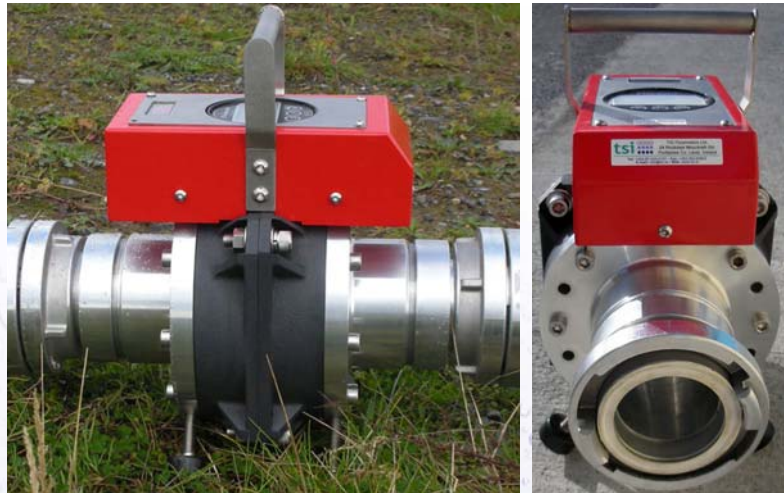


FLOWMASTER 410D - FOR LARGE FLOW RATES FLOW AND PRESSURE TEST INSTRUMENT

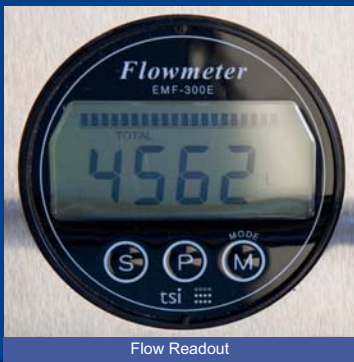
Easy and simple to use everywhere

Designed to assist Fire Services and Water Services with accurate flow and pressure measurements, the TSI Flowmaster 410D provides the most reliable and accurate evaluation of your hydrant and water main condition. The TSI Flowmaster is used where accurate and in-line measurement of flow and pressure is required. Featuring an integral data logger and powerful graphical software, flow and pressure test reports are easily generated

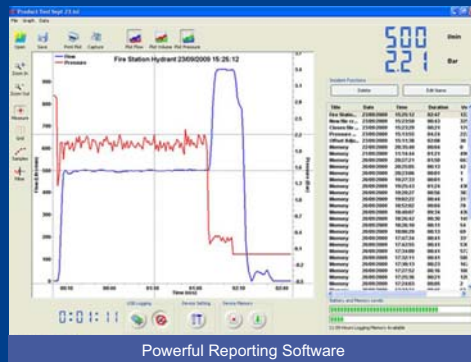
The TSI Flowmaster 410D is a 100mm version of the portable Flowmaster 250 water flow meter, measuring instantaneous flow rated up to 5,000 lpm and pressure up to 16 bar. Weighing only 12kg, the TSI Flowmaster has a convenient carry handle contributing to its overall ease of use. Simply attach to the measuring point, switch on and measure flow and pressure.



- **Sensor Bore: 100mm**
- **Flow Range: 50 to 5,000 lpm**
- **Pressure Range: 0 - 16 Bar**
- **LCD Readout of Flow**
- **Integrated Pressure Transducer and LED Readout**
- **Adaptors: Supplied with 4" BSP male thread either end**
- **Convenient carry handle & supporting feet**
- **Internal Data Logger and Software for Uploading via USB Cable the logged flow and pressure readings**



Flow Readout



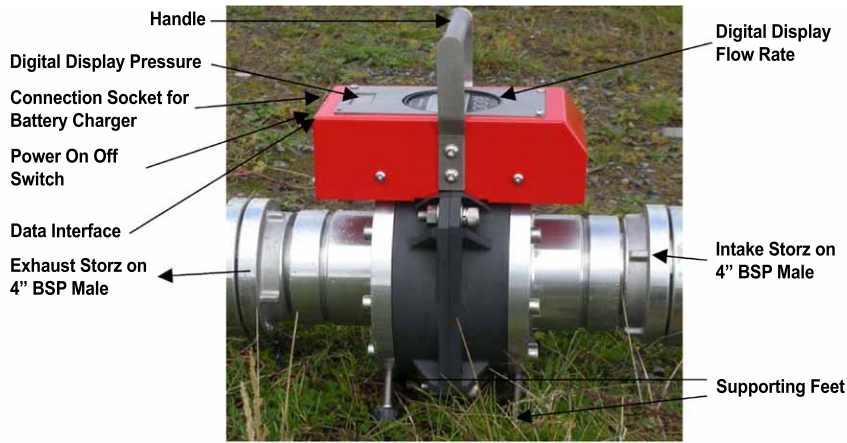
Powerful Reporting Software



Bright LED Pressure Readout

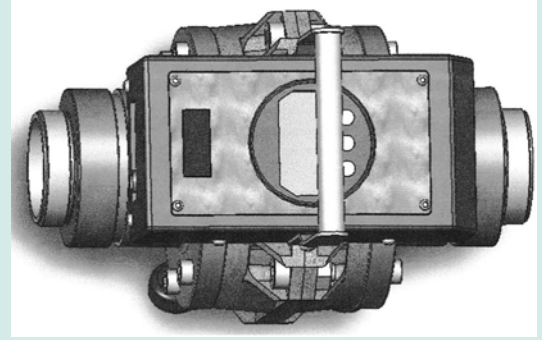
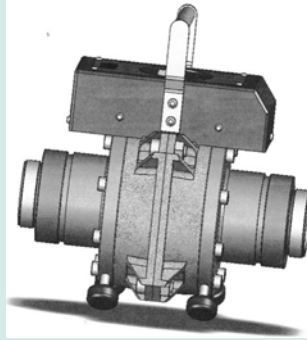
24 Rockdale, Mountrath Road, Portlaoise, Co. Laois, Ireland

t: +353 (0)87 235 2107 | f: +353 (0)57 866 3852 | e: info@tsi.ie

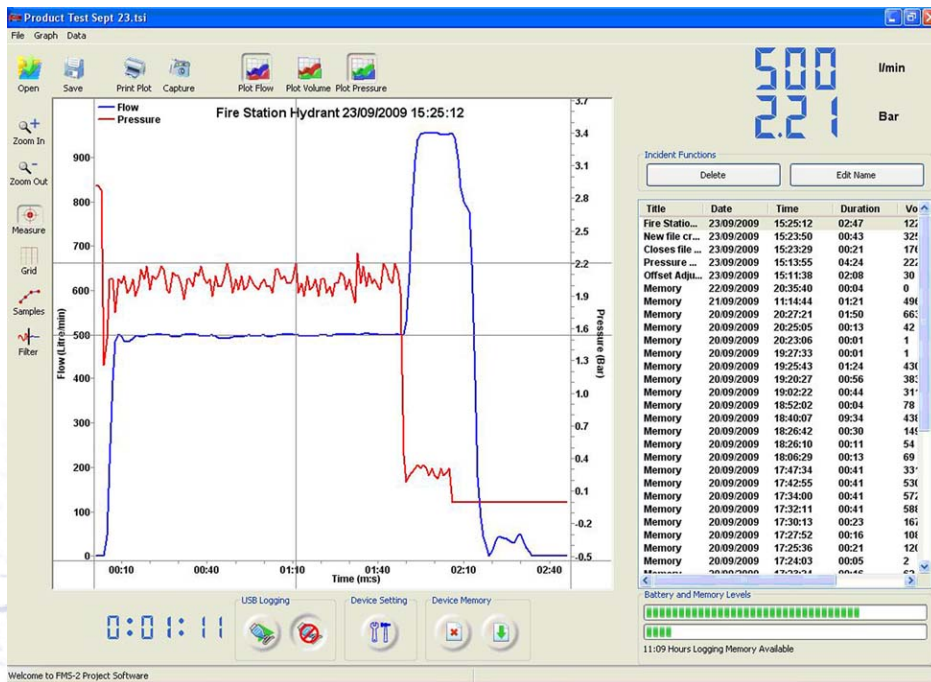


APPLICATIONS

- Monitoring flow rates into sensitive equipment
- Establishing correct flow rates for foam inductors
- Measuring volume of water delivered
 - for environmental reporting
 - or onto ships
- Flow testing of hydrants
- Flow testing of pumps and fire fighting equipment



Quick and Easy Report Generation



Create flow and volume reports quickly from the data stored in the integral data logger using the powerful graphical software.

Date	Time	Duration	Volume (L)
21/03/2010	18:24:27	01:03	464
21/03/2010	18:21:42	02:09	998
21/03/2010	18:17:43	00:13	53
8/03/2010	15:35:30	02:46	1295

TECHNICAL DATA FOR FLOWMASTER 410D CE

Art No 34-2006

(EN292 & EN60204)

- Weight: 12Kg including battery pack & installation adaptors
- Dimensions: 450(L) x 240 (W) x 410 (H) mm
- Power: Internal Battery Pack (NiMH)
DC 12V @ 400mA
Battery charger included
- Operating Temp: -10°C ~ +50°C.
- Colour: Fireman Red & anodised aluminium

Flowmeter

- Type: Electromagnetic
- Range: 50 - 5,000 lpm
- Resolution: 50 ~ 750 l/m ± 15 l/min
750 l/min ~ ± 2%
- Casing Material: Corrosion resistant ADC6-12 (JIS) aluminium (anodised)
- Pressure rating: 23 bar
- Digital LCD display with internal backlight
- Adaptors: 4" BSP or Storz

Data Logger

- Internal data logger
- 64Kb memory capacity. Record 12 hours of data at one second interval
- Record flow rate
- Real time clock and data/time stamp added to each recorded event
- USB connection to PC for settings and for recorded data transfer
- Automatic trigger of logger by flow event

Pressure Transducer

- 0 to 25 bar digital pressure transducer
- Bright LED readout of pressure